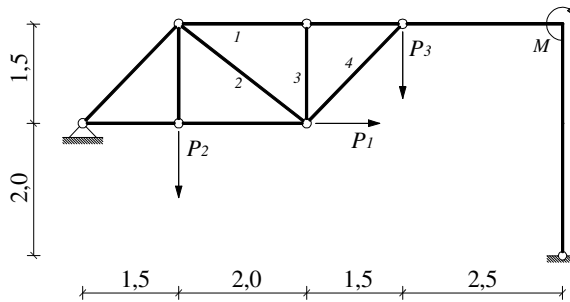


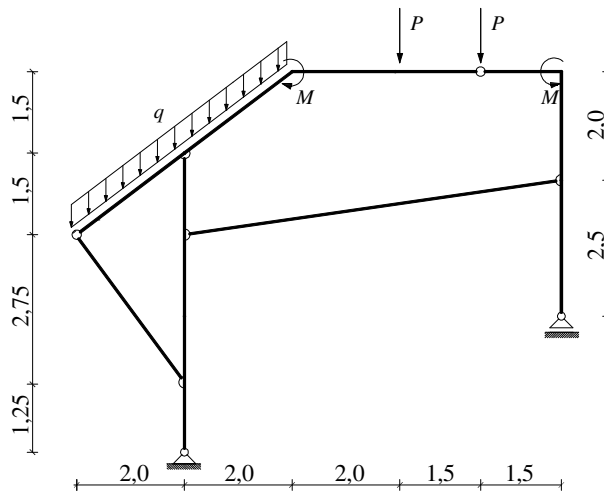
GS 1. – 17.06.2008.

1. Grafičkim postupkom odredite sile u štapovima 1 – 4.



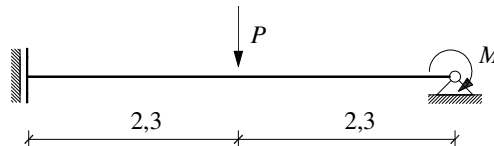
$$\begin{aligned} P_1 &= 100\text{kN} \\ P_2 &= 200\text{kN} \\ P_3 &= 250\text{kN} \\ M &= 100\text{kNm} \end{aligned}$$

2. Primjenom superpozicije nacrtajte M -dijagram!



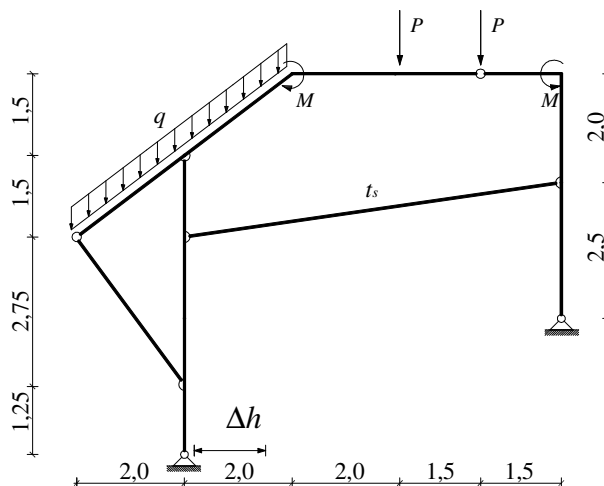
$$\begin{aligned} M &= 165\text{kNm} \\ q &= 46\text{kN/m} \\ P &= 240\text{kN} \end{aligned}$$

3. Nacrtajte progibnu liniju!



$$\begin{aligned} M &= 240\text{kNm} \\ P &= 230\text{kN} \\ EI &= 18000\text{kNm}^2 \end{aligned}$$

4. Metodom sila nacrtajte M -dijagram!



$$\begin{aligned} M &= 165\text{kNm} \\ q &= 46\text{kN/m} \\ P &= 240\text{kN} \\ b/h &= 35/45\text{cm} \\ \Delta h &= 1.5\text{cm} \\ t_s &= -15^\circ\text{C} \\ \alpha_t &= 10^{-5}\text{K}^{-1} \end{aligned}$$